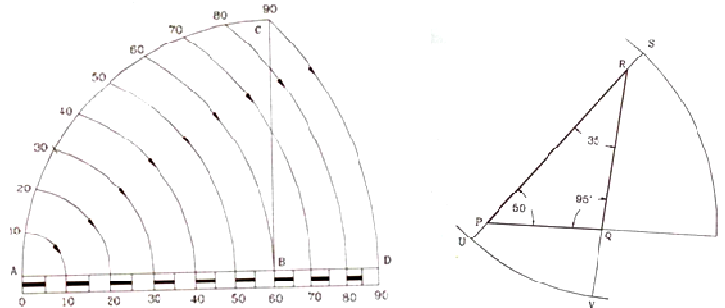
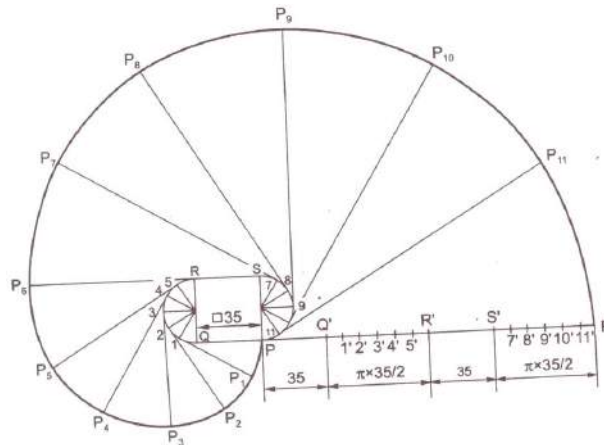


**B.E. Exam
BE 105
Engineering Graphics
June 2014**

1. (a)



(c)



2. (a)

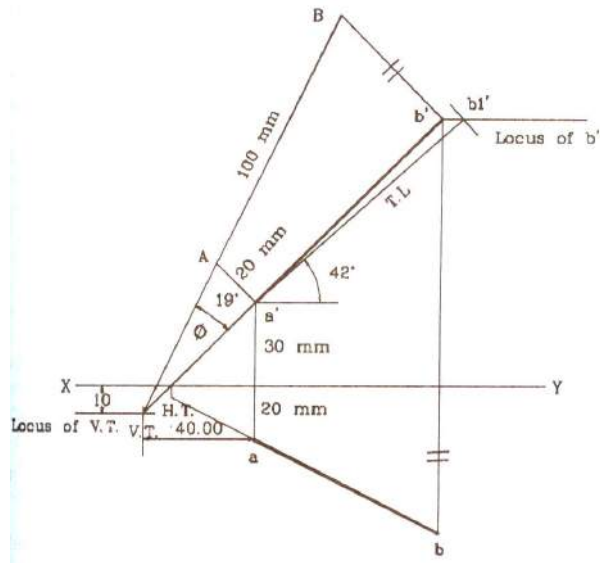
In convergent projection, the projectors are not parallel to each other but converge to a point, called station point. The station point essentially coincide with the observer's eye. The view is obtained on a POP called picture plane situated between observer and object. The parallel edges of the object are seen to be converging at appoint called vanishing point. The object appears smaller and smaller as its distance from the observer increases. The most common type of convergent projection is called perspective projection.

(b) *Point is in the H.P. and in the V.P. , i.e. The point is lying on the reference line itself.*

(c)

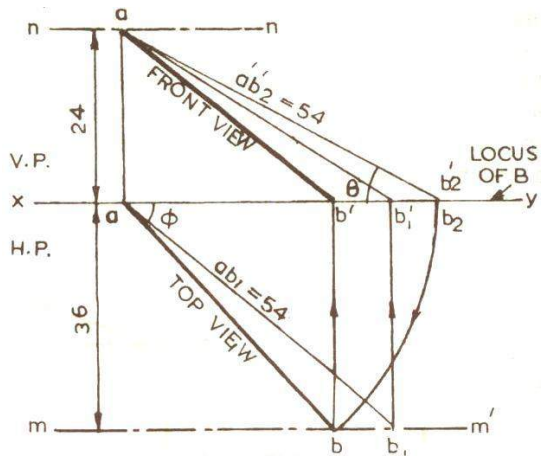
<i>First angle Projection</i>	<i>Third angle projection</i>
<i>The object is between the observer and the plane of projection</i>	<i>The plane of projection is between the observer and the object</i>
<i>The plane of projection is assumed to be non transparent</i>	<i>The plane of projection is assumed to be transparent</i>
<i>This method of projection is now recommended by</i>	<i>This method of projection is used in USA and also</i>

(d)

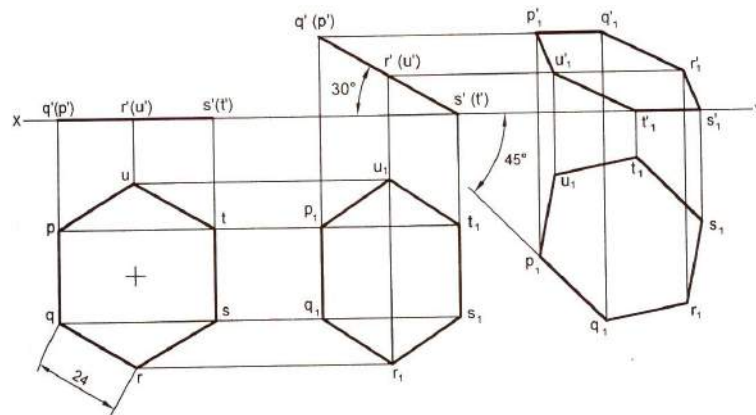


OR

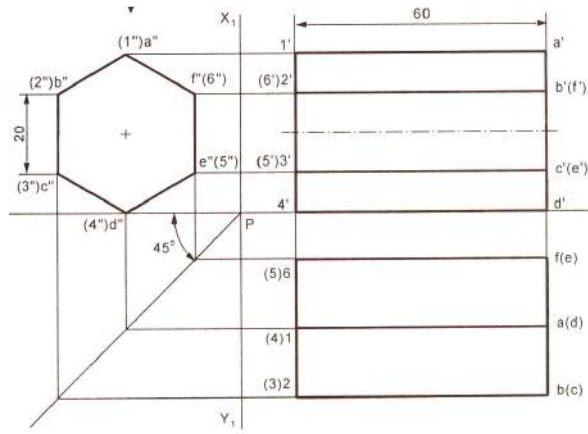
(e)



3. (a)

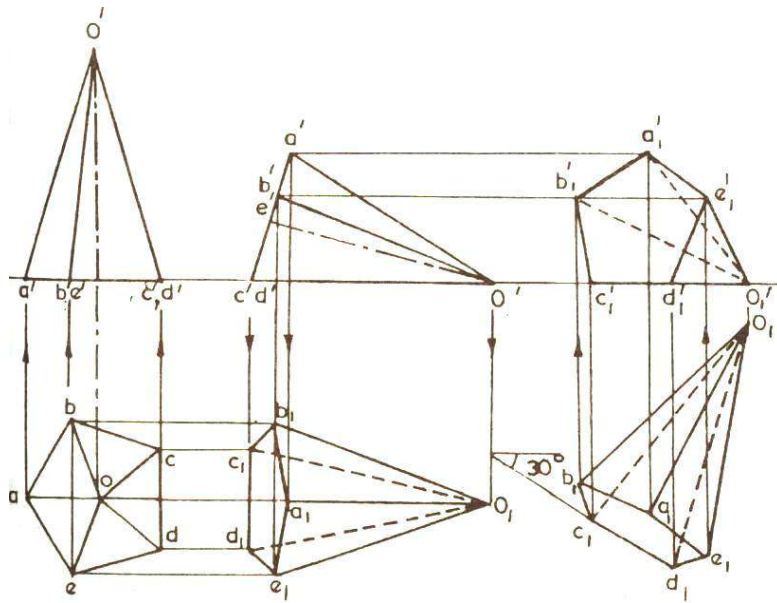


(b)

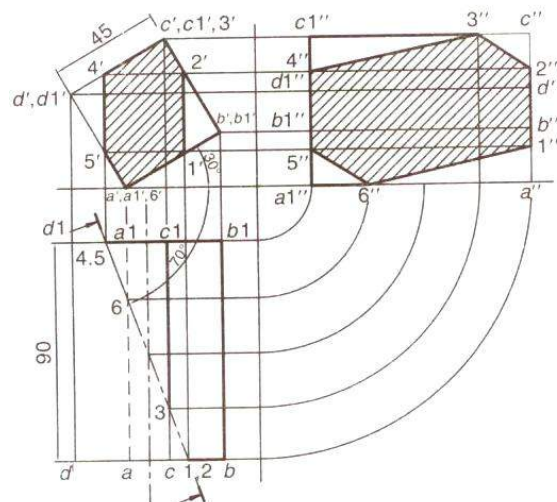


OR

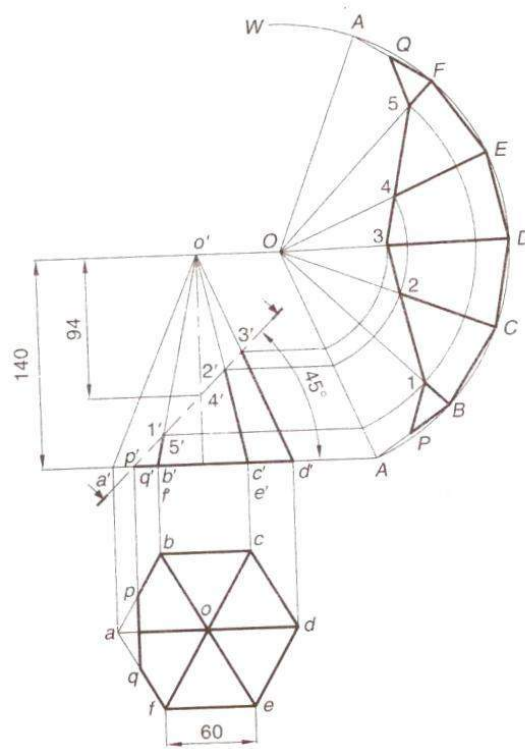
(c)



4. (a)

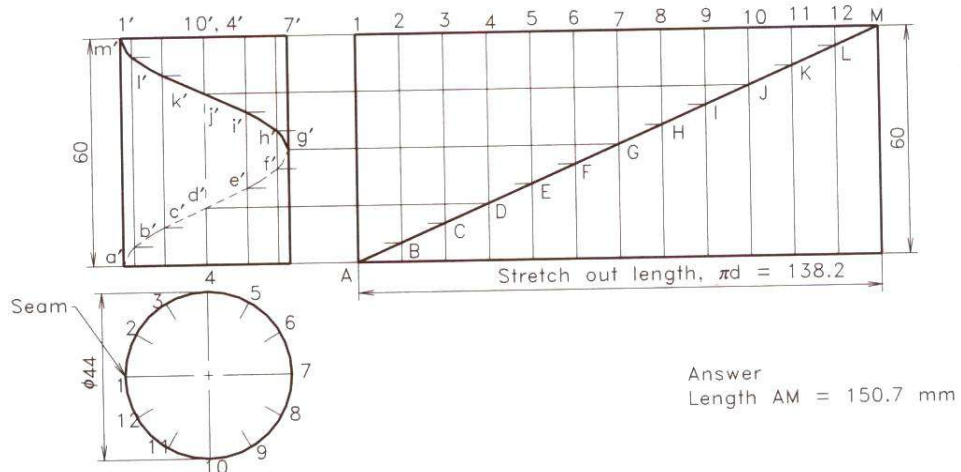


(b)



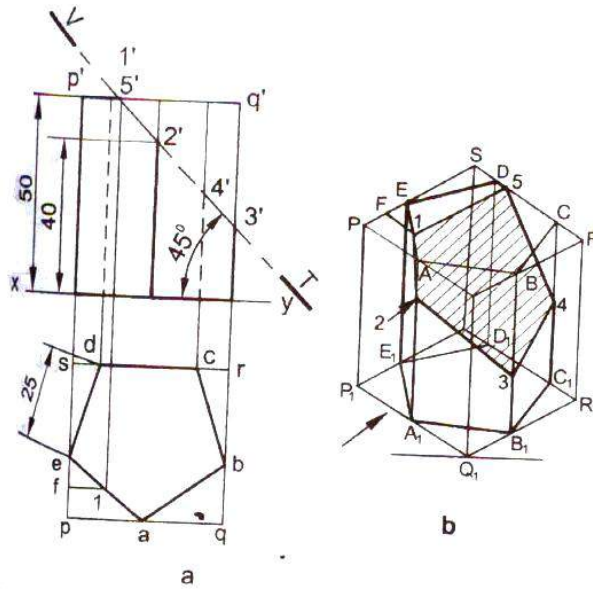
OR

(c)



5. (a) *When drawing is complex/complicated and for sorting the objects, the technique of using layering will help keep track of what is what. The layer command is used to draw objects having multiples planes.*
- (b) *Move, copy, Array, Fillet etc*
- (c) **High productivity, standardization of drawing, possibility of easy and quick modification, compact storage, excellent quality**

(d)



OR

(e)

